

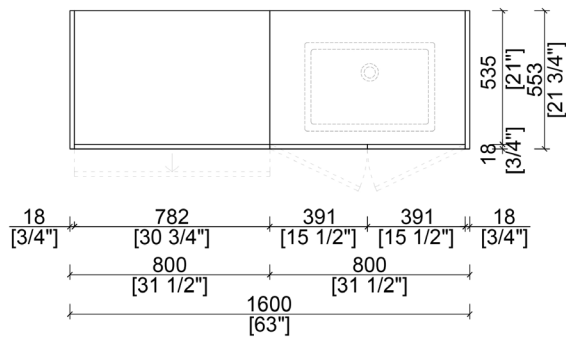
DINOI

NBA-DI1600

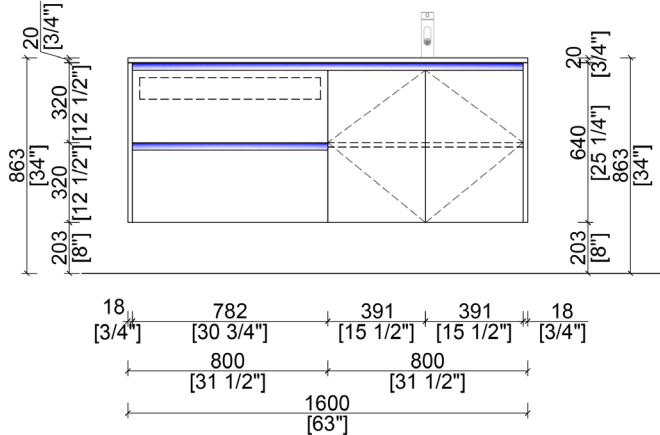
alta
by 



BASE CABINET PLAN



FRONT ELEVATION

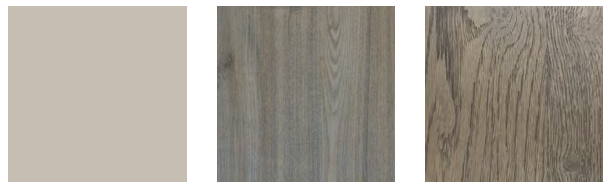


FEATURES

- Simple and Clean Modular Design
- Floating wall-mount installation or floor mount models available
- Combination of swinging doors and drawers
Concealed, integrated drawers available
- Integrated profile door pulls or surface mount pulls available

AVAILABLE FINISHES

- Available in a wide variety of lacquer, melamine, and natural wood veneer



- To see the full selection of colors and finishes, please follow the link to [Cabinetry Finishes](#).