

# SAGA

## NBWI-5983



### COUNTER MOUNT LAVATORY BASIN INSTALLATION

#### THANK YOU FOR CHOOSING NELLA™

Welcome to the Nella™ family. We are confident Nella's™ superior quality, design and aesthetic will enhance your bathroom experience for many years to come. If you have any questions regarding your Nella products please contact your local sales representative or visit our website [www.nellabath.com](http://www.nellabath.com) for customer support and service information.

Thank you again,  
NELLA™

#### PRIOR TO INSTALLATION

Prior to installation please be sure to review all installation instructions with a licensed or qualified plumbing technician who is familiar with all local plumbing and building codes in your jurisdiction.

#### PRODUCT FEATURES AND DESCRIPTION

##### FEATURES

- NellaMar™ Solid-Surface Cultured Stone
- Seamless one-piece design
- Integrated overflow slot
- Matte Finish (gloss finish available)

##### INCLUDED COMPONENTS

- NellaMar™ solid-surface cultured stone basin
- NellaMar™ solid-surface waste cover
- Pop-up drain optional (not included)

##### CODES AND STANDARDS

Meets or exceeds:

- IAPMO-ANSI Z124.1
- IAPMO-ANSI Z124.3
- CSA B45.0-CSA B45.4
- cUPC



#### IMPORTANT - PRIOR TO INSTALLATION

Before you begin please be sure to review the steps below to ensure preferred installation results.

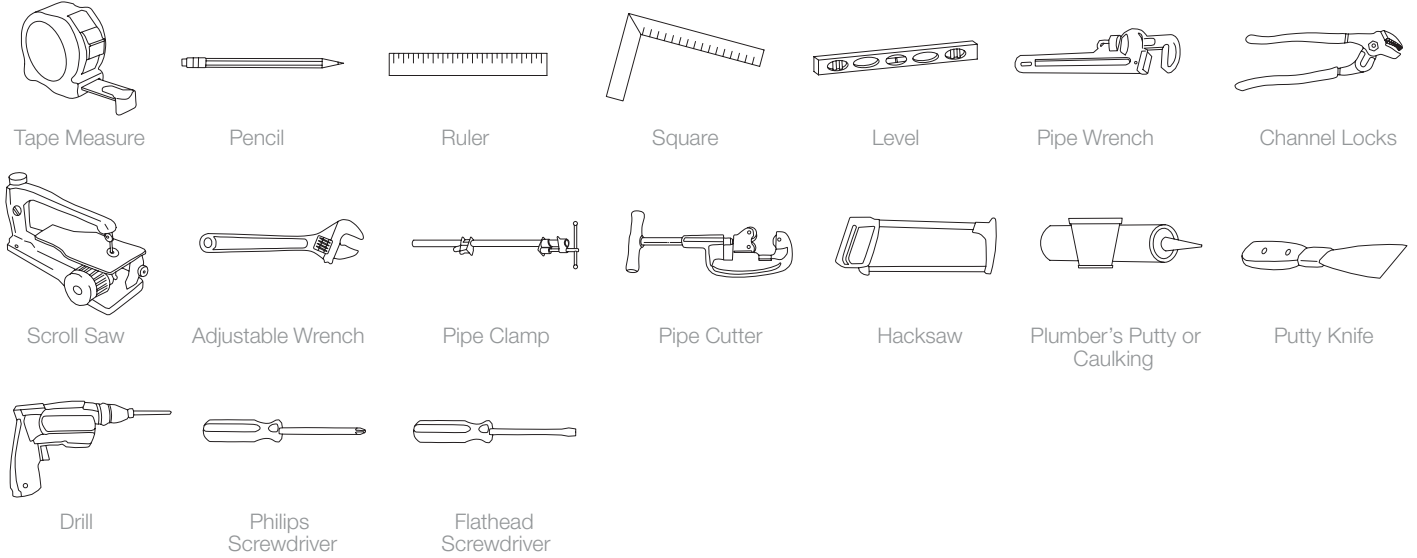
1. Unpack your new NELLA™ product and confirm it is the correct model ordered and inspect the product for damage. Please keep product in its original packaging until you are ready for installation.
2. Confirm that all walls are plumb and all mounting/installation surfaces are level.
3. Shut off existing water supply.
4. Confirm that your plumbing technician has the proper/recommended tools for proper installation.

# SAGA

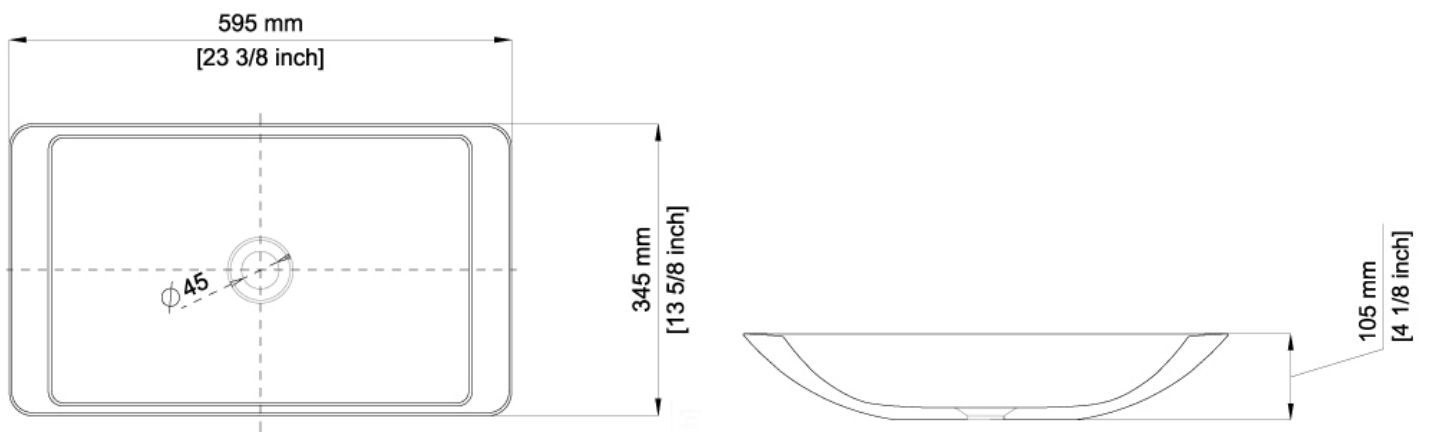
## NBWI-5983



### COUNTER MOUNT LAVATORY BASIN INSTALLATION



### ROUGH-IN DIMENSIONS



# SAGA

## NBWI-5983



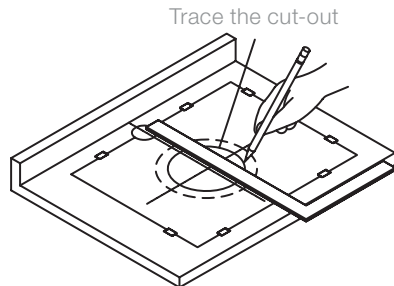
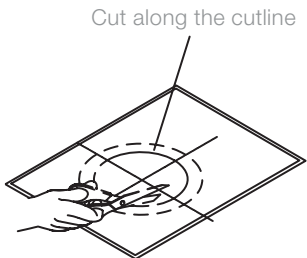
### COUNTER MOUNT LAVATORY BASIN INSTALLATION

#### INSTALLATION INSTRUCTIONS

**\*\*NOTE: CONFIRM BASIN POSITION PROPERLY COINCIDES WITH YOUR FAUCET INSTALLATION LOCATION. BASIN INSTALLATION LOCATION WILL VARY WITH DECK MOUNT, BASIN MOUNT AND WALL MOUNT FAUCETS. PROVIDE SUFFICIENT SPOUT OVERHANG INTO LAVATORY BASIN WHEN USING WALL MOUNT FAUCETS. PLEASE REFER TO THE MANUFACTURER'S FAUCET SPOUT DIMENSIONS BEFORE PERMANENTLY SETTING/INSTALLING YOUR NELLA™ LAVATORY BASIN.\*\***

#### 1. CUT OPENING FOR LAVATORY BASIN

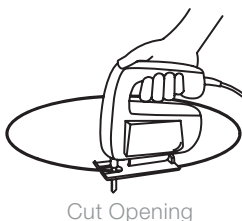
- Place the provided NELLA™ basin template at the desired installation location. Adhere template to installation surface with tape.
- Mark cutting guidelines on countertop surface for your reference.



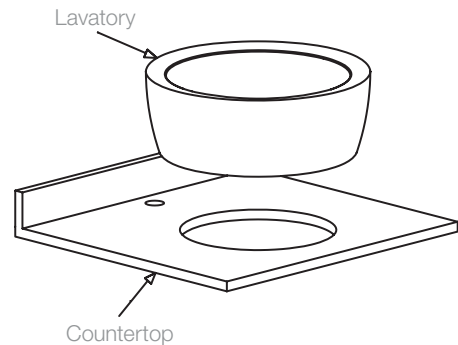
- Drill pilot hole inside the perimeter line of the template.



- Cut countertop opening.



- Align basin with countertop cutout to confirm cutout is the correct dimension and aligned properly.

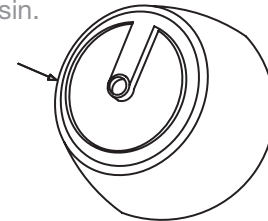


**\*\*NOTE: RECUTTING MAY BE NECESSARY TO ENSURE FIT AND ALIGNMENT\*\***

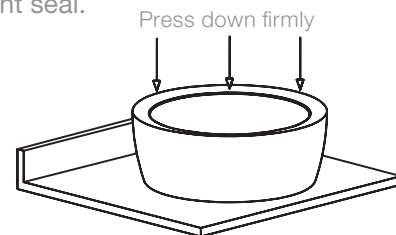
#### 2. INSTALL LAVATORY BASIN

- Apply proper silicone sealant, or caulking around underside and rim of basin.

Apply silicon sealant or caulking



- Carefully align basin and lower into desired position. Press firmly to ensure sealant adheres to countertop and forms a tight seal.



- To mitigate the possibility of water seepage a small line of sealant may also be applied to the basin's outer base once basin is set in position.

- Immediately wipe any excess sealant from lavatory basin and counter surface material.

**\*\*NOTE: LET SEALANT SET FOR A MINIMUM OF THIRTY (30) MINUTES BEFORE PROCEEDING\*\***

Basin is now ready for drain, waste system, faucet and water supply installation.

**\*\*NOTE: DRAIN, WASTE SYSTEM, FAUCET AND WATER SUPPLY SHOULD BE INSTALLED ACCORDING TO MANUFACTURER'S INSTALLATION INSTRUCTIONS\*\***