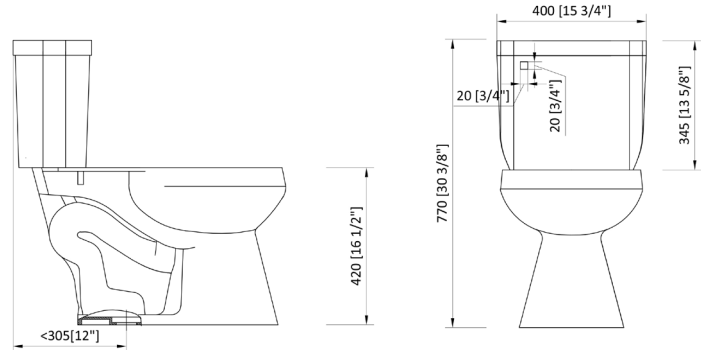


BERK

NBTA-5200D



FEATURES

- Vitreous China
- Two-Piece contemporary design
- Round Bowl, 420mm height
- 2" fully glazed trapway
- 12"/305mm rough-in
- Siphonic – Side Flush
- 1.28 GPF / 4.8L / HET

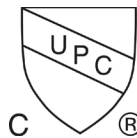
SUPPLIED COMPONENTS

- Seat w/lid (soft-close)
- Tank cover
- Flush actuator
- Wax ring
- Floor installation kit

CODES AND STANDARDS

Meets or exceeds:

- ASME A112.19.2 /CSA B45.1
- ASME A112.19.14
- MAP: 1000g



C

USA/CANADA: www.nellabath.com