

UNDERMOUNT LAVATORY BASIN INSTALLATION

THANK YOU FOR CHOOSING NELLA™

Welcome to the Nella™ family. We are confident Nella's™ superior quality, design and aesthetic will enhance your bathroom experience for many years to come. If you have any questions regarding your Nella products please contact your local sales representative or visit our website www.nellabath.com for customer support and service information.

Thank you again,
NELLA™

PRIOR TO INSTALLATION

Prior to installation please be sure to review all installation instructions with a licensed or qualified plumbing technician who is familiar with all local plumbing and building codes in your jurisdiction.

PRODUCT FEATURES AND DESCRIPTION

FEATURES

- Vitreous China Lavatory basin with Overflow
- Undermount installation

INCLUDED COMPONENTS

- Vitreous lavatory basin
- Undermount clip installation kit
- Installation template

CODES AND STANDARDS

Meets or exceeds:

- ASME A112.19.2 / CSA B45.1
- ASME A112.19.14
- ADA compliant when barrier free
- cUPC



IMPORTANT - PRIOR TO INSTALLATION

Before you begin please be sure to review the steps below to ensure preferred installation results.

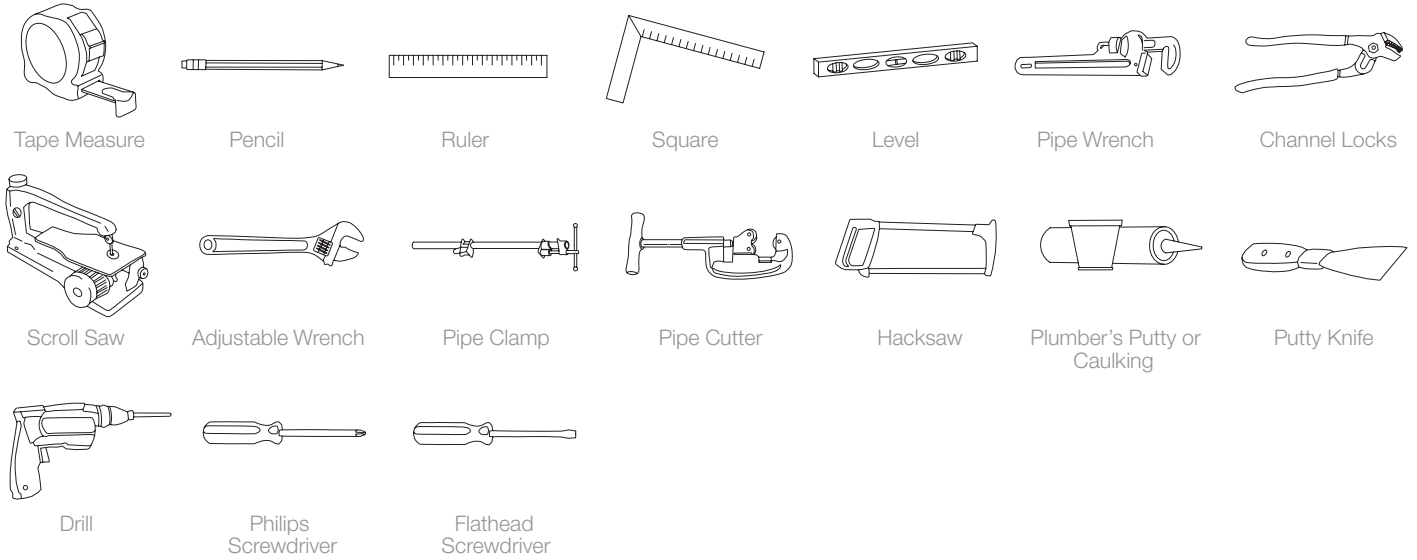
1. Unpack your new NELLA™ product and confirm it is the correct model ordered and inspect the product for damage. Please keep product in its original packaging until you are ready for installation.
2. Confirm that all walls are plumb and all mounting/installation surfaces are level.
3. Shut off existing water supply.
4. Confirm that your plumbing technician has the proper/recommended tools for proper installation.

LOZZA

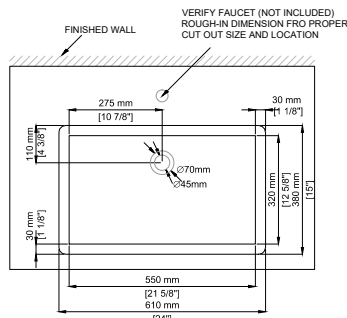
NBSA-620A



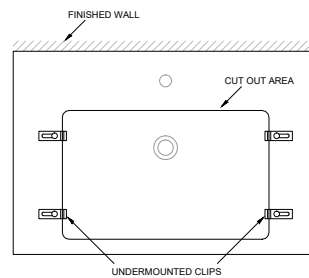
UNDERMOUNT LAVATORY BASIN INSTALLATION



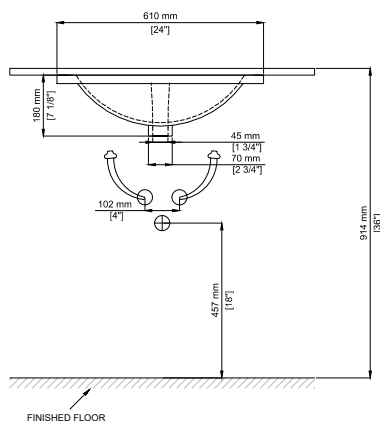
ROUGH-IN DIMENSIONS



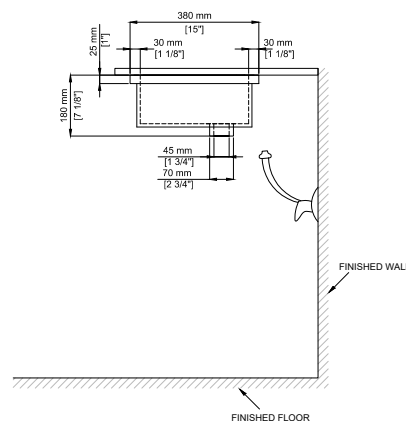
Top View



Bottom View



Front View



Side View

LOZZA

NBSA-620A

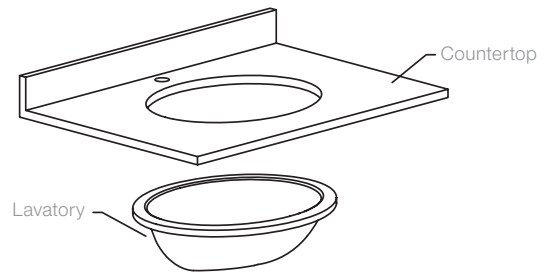


UNDERMOUNT LAVATORY BASIN INSTALLATION

INSTALLATION INSTRUCTIONS

****NOTE: CONFIRM BASIN POSITION PROPERLY COINCIDES WITH YOUR FAUCET INSTALLATION LOCATION. BASIN INSTALLATION LOCATION WILL VARY WITH DECK MOUNT, BASIN MOUNT AND WALL MOUNT FAUCETS. PROVIDE SUFFICIENT SPOUT OVERHANG INTO LAVATORY BASIN WHEN USING WALL MOUNT FAUCETS. PLEASE REFER TO THE MANUFACTURER'S FAUCET SPOUT DIMENSIONS BEFORE PERMANENTLY SETTING/INSTALLING YOUR NELLA™ LAVATORY BASIN.****

- Align basin with countertop cutout to confirm cutout is the correct dimension and aligned properly.



1. CUT OPENING FOR LAVATORY BASIN

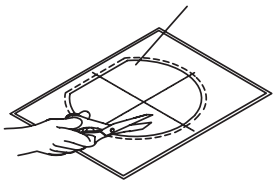
- Place the provided NELLA™ basin template at the desired installation location. Adhere template to installation surface with tape.
- Mark cutting guidelines on countertop surface for your reference

****NOTE: RECUTTING MAY BE NECESSARY TO ENSURE FIT AND ALIGNMENT****

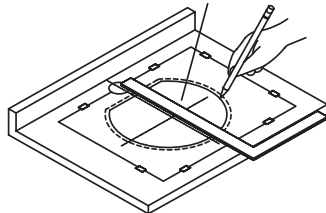
2. PREPARE COUNTERTOP FOR UNDERMOUNT CLIPS

NOTE: COUNTERTOPS NEED A MINIMUM OF 1" (2.5CM) THICKNESS. INSTALLER MUST PROVIDE ANCHORS FOR THINNER COUNTERTOPS.

Cut along the outline



Trace the cut-out

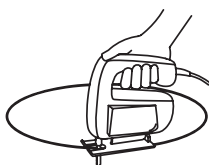


- Drill pilot hole inside the perimeter line of the template.



Clearance Hole

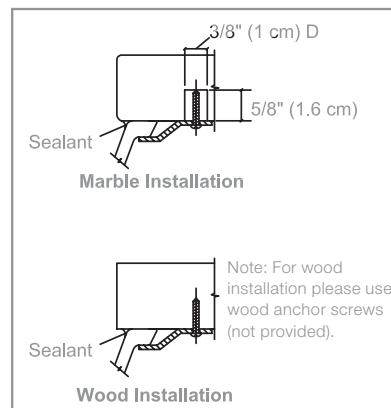
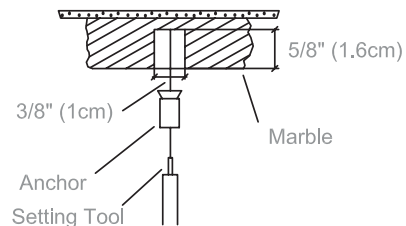
- Cut countertop opening.



Cut Opening

- Drill 5/8" (1.6 cm) deep anchor holes to receive 3/8" (1 cm) provided threaded anchor.

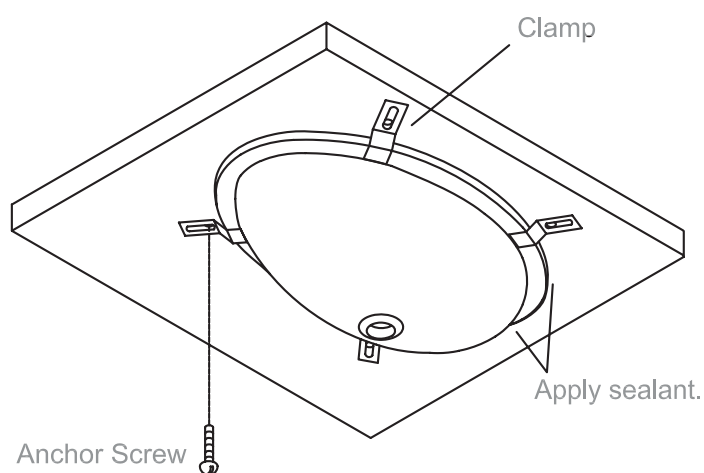
- Set anchor (open side exposed) with appropriate setting tool and hammer. A small amount of Epoxy can be applied for stronger adherence.



UNDERMOUNT LAVATORY BASIN INSTALLATION

3. INSTALLATION INSTRUCTIONS

- Apply proper silicone sealant or caulking (consult with plumbing technician) around the topside rim of lavatory basin.
- Carefully align lavatory basin with countertop cut out and raise it into place.
- Firmly press lavatory basin against underside of countertop to ensure a tight.
- Place undermount clips in appropriate positions according to the anchor locations.



- To mitigate the possibility of water seepage a small line of sealant may also be applied to the basin's inner rim, where basin and countertop meet.
- Immediately wipe any excess sealant from lavatory basin and counter surface material.

****NOTE: LET SEALANT SET FOR A MINIMUM OF THIRTY (30) MINUTES BEFORE PROCEEDING****

Basin is now ready for drain, waste system, faucet and water supply installation.

****NOTE: DRAIN, WASTE SYSTEM, FAUCET AND WATER SUPPLY SHOULD BE INSTALLED ACCORDING TO MANUFACTURER'S INSTALLATION INSTRUCTIONS****