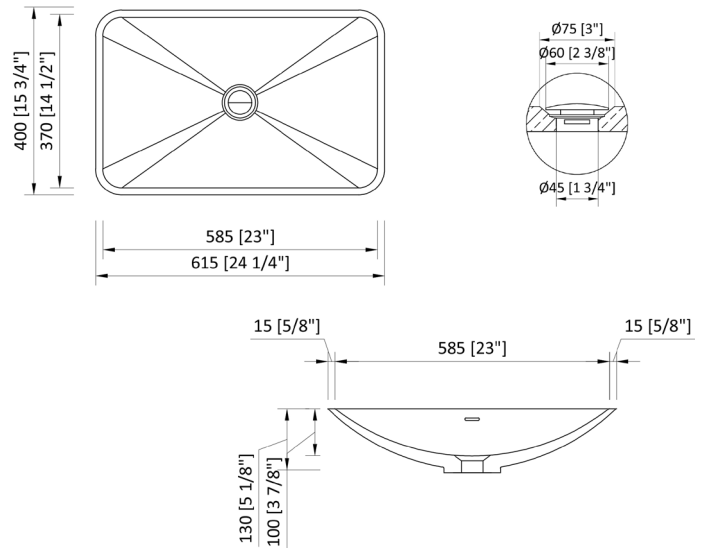


LEVI

NBP-93163



FEATURES

- NellaMar™ Solid-Surface Cultured Stone
- Seamless one-piece design
- Matte Finish (gloss finish available)

SUPPLIED COMPONENTS

- NellaMar™ solid-surface cultured stone basin
- NellaMar™ solid-surface waste cover
- Pop-up drain optional (not included)

CODES AND STANDARDS

Meets or exceeds:

- IAPMO-ANSI Z124.1
- IAPMO-ANSI Z124.3
- CSA B45.0-CSA B45.4