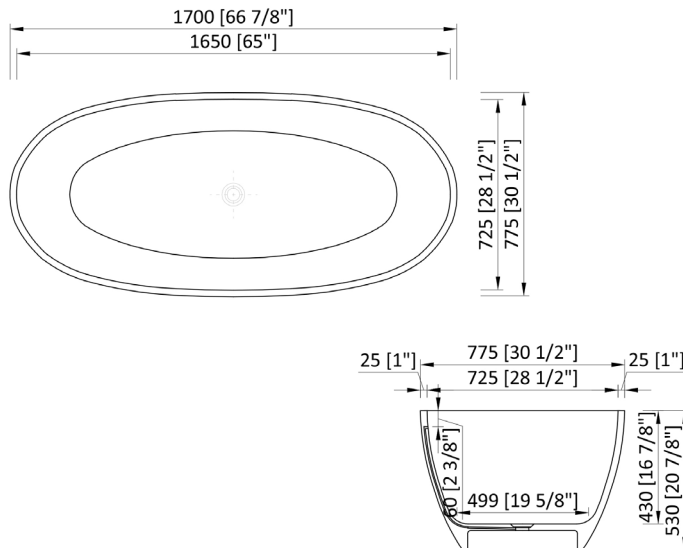


OBLI

NBP-87711



FEATURES

- Solid Surface Soaking bathtub with Overflow
- Free-standing installation

SUPPLIED COMPONENTS

- Freestanding bathtub
- Chrome-plated brass and drain assembly with white solid surface cover

AVAILABLE FINISHES

- Matte
- High-gloss

CODES AND STANDARDS

Meets or exceeds:

- IAPMO-ANSI Z124.1
- IAPMO-ANSI Z124.3
- CSA B45.0-CSA B45.4
- cUPC

