

LIRI

NBDO-80020

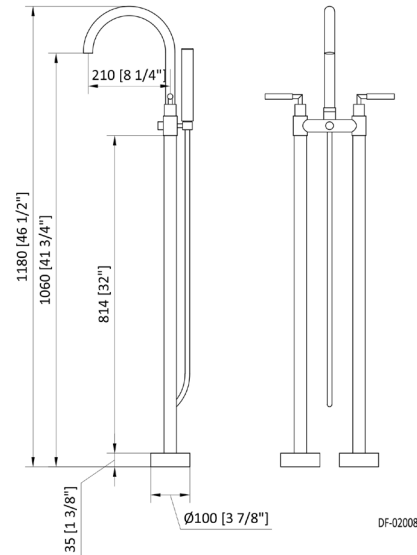


FEATURES

- Solid brass construction
- Brushed nickel or polished chrome finish
- Dual lever volume and temperature control (4.8gpm @ 20psi) / Calgreen optional
- Handheld shower wand (2.3gpm @ 80psi) / Calgreen optional
- Integrated diverter
- Neoperl™ aerator
- Sedal Ceramic cartridge

SUPPLIED COMPONENTS

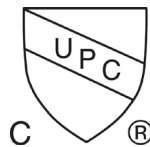
- Solid brass freestanding bath filler
- Handheld shower wand with supply hose
- Water supply hoses
- Floor-mount installation kit



CODES AND STANDARDS

Meets or Exceeds:

- ANSI / ASME standard A112.18.1 and CAN / CSA B125.1-05 requirements
- cUPC
- California AB1953 compliant
- Calgreen compliant



*CAL*Green

