

A close-up, high-angle photograph of a stainless steel sink. The sink's surface is covered with numerous water droplets of various sizes, some of which are larger and more prominent. The lighting is dramatic, highlighting the metallic texture and the reflective surfaces of the water. The sink is set against a dark, possibly black, background.

FIORE

SINKS
PRODUCT HIGHLIGHTS

FiORE™



Fi SS30418 / 16G / 201511

Fi SS30418 - 16G / 201511

PREMIUM T-304 STAINLESS STEEL

Kitchen Sinks Designed & Built to Last

**TYPE
304**

Premium grade T-304 stainless steel containing 18% chromium and 10% nickel provides added protection against rust and corrosion

16G

Fiore sinks use only the finest and thickest 16 gauge (1.5mm) available; providing both superior strength and a bold aesthetic

HANDMADE STAINLESS STEEL SINKS

Designed and Developed for an Elevated Kitchen Experience

HANDMADE

Detailed, hand-crafted precision

SOUND ABSORPTION

Commercial-grade, extra-thick 3mm sound dampening pads

FIORE 16G STEEL

1.5mm Stainless Steel construction

PREMIUM QUALITY T-304

FiORE Premium Stainless Steel
18% Chromium, 10% Nickel

LIMITED LIFETIME WARRANTY

FiORE'S unsurpassed quality

PROFESSIONAL COMMERCIAL GRADE finish with scratch resistance

Cleaning made easier with subtle, eased corners

PRECISION-CUT T-304

stainless steel construction

Long lasting 16-gauge steel

PROFESSIONAL MULTITASK LEDGES
provide support for Fiore's luxury accessories

FLOW CHANNELS & DRAIN

Strategically designed for maximum drainage

Standard 3.5" rear set drain assembly



FLEXIBLE WORKSPACES

Three Workspace Options to Best
Suit Your Needs

SINGLE BASIN

One large basin that can accommodate even
the largest of dishes

DOUBLE BASIN

Two basins to organize your cooking and
washing experience

FIORE FLEX WORKSURFACE

An elevated flat surface to conserve
counter space and reduce mess



CORNER RADIUS OPTIONS

Timeless, Versatile Design for
Contemporary Kitchens

MICRO CORNER /ZERO RADIUS

Perfectly straight interior corners for a truly
avant-garde look

RELAXED CORNER /10MM RADIUS

A subtle curved corner for an easy to clean
contemporary look



EXTRA-DEEP BASIN DESIGN

All the Space You Need
To Get Things Done

BIGGER BASIN BIGGER WORKSPACE

Fiore's deep basin stainless steel sinks are able to accommodate kitchenware of all shapes and sizes.



EXTRA-DEEP BASINS

Models ranging from 8 5/8" to 10" deep

SINK MOUNTING OPTIONS

It's All In the Details

LITTLE DETAILS MAKE ALL THE DIFFERENCE.

A sink with $3/8''$ Positive Reveal adds dimension to the countertop, while Zero Reveal creates sleek and modern lines. A $1/8''$ Negative Reveal offers a seamless, polished look in the kitchen.



$3/8''$ POSITIVE REVEAL

Sink edge extends from beneath the countertop by $3/8''$. Sink rim is visible on all sides.

ZERO REVEAL/FLUSH-MOUNT

Sink edge and countertop are perfectly aligned. Sink rim is not visible.

$1/8''$ NEGATIVE REVEAL

Countertop extends beyond sink edge by $1/8''$. Sink rim is completely covered.



THE MARK OF QUALITY

Every Fiore handmade sink is engraved with Fiore's trademark, model number, gauge, and production lot to ensure the highest quality control standards.



SOUND INSULATION

Sinks Designed With Quietness In Mind

TOP QUALITY SOUNDPROOFING

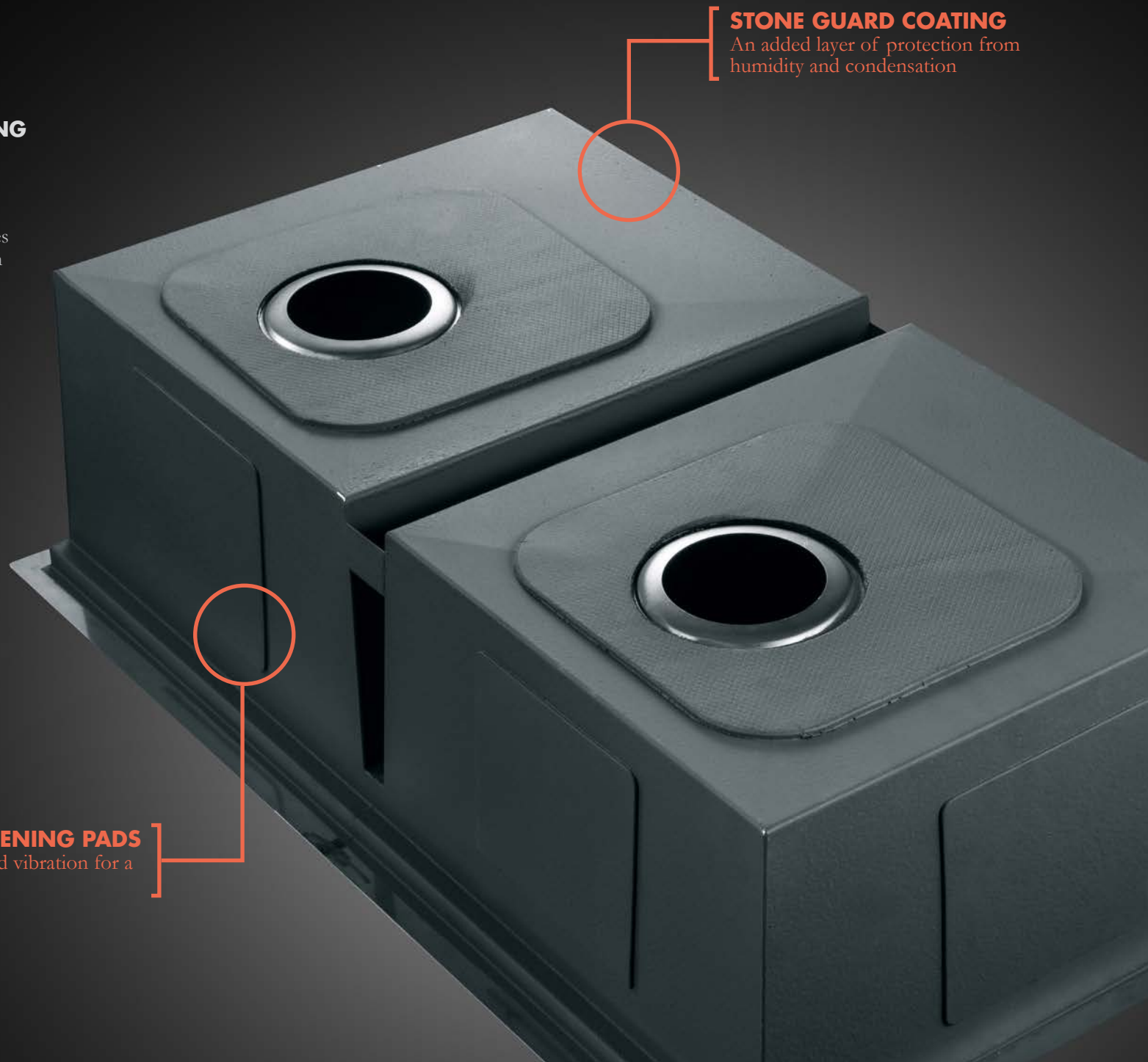
Noise and vibrations are minimized by extra-thick rubber dampening pads.

STONE GUARD COATING

Commercial-grade undercoating provides additional soundproofing and protection from condensation buildup.

STONE GUARD COATING

An added layer of protection from humidity and condensation

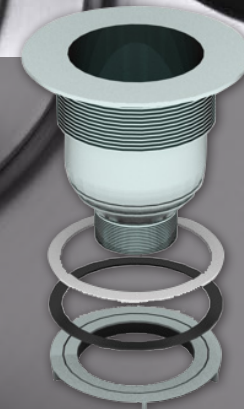
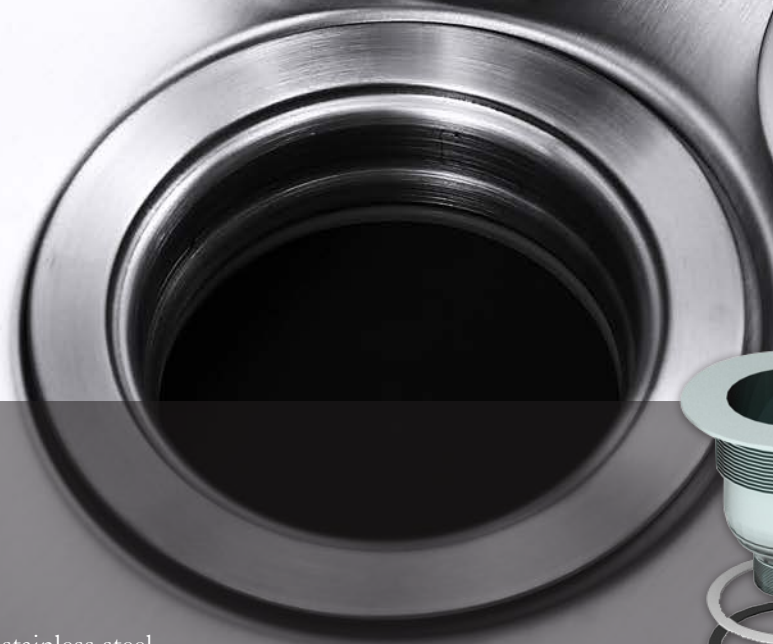


RUBBER DAMPENING PADS

Minimize sound and vibration for a quieter kitchen

COMPLIMENTARY & LUXURY ACCESSORIES

For an Enhanced User Experience



DRAIN ASSEMBLY

Keep food and debris out of the drainpipe with Fiore's exclusive stainless steel drain assembly and removable basket strainer.

DISH GRID

Every Fiore sink comes with a complimentary premium-grade stainless steel dish grid to help prevent surface blemishes, scratches and stains.



LUXURY CUTTING BOARD

Our luxury, solid-wood cutting board fits seamlessly with Fiore's professional multitask ledges for easy cutting and waste disposal.



LUXURY COLANDER

Our luxury wood and stainless steel colander fits perfectly with Fiore's professional multitask ledges for easy draining and washing.

