

# FIORE™

## FI1301 SS/ BNC LAVI PRO

### KITCHEN FAUCET INSTALLATION

#### THANK YOU FOR CHOOSING FIORE™

If you have any questions regarding your Fiore products please contact your local sales representative or visit [www.fiorelife.com/support](http://www.fiorelife.com/support) for customer support and service information.

Thank you again,  
FIORE™

#### PRIOR TO INSTALLATION

Prior to installation please be sure to review all installation instructions with a licensed or qualified plumbing technician who is familiar with all local plumbing and building codes in your jurisdiction.

#### FEATURES

- Brushed Nickel or Polished Chrome Finish
- T304 Stainless Steel body and construction
- Single handle lever
- FiORE Temperature Recall. Faucet may be turned on and off at any temperature setting
- Dual-function, simple-touch control for easy stream-to-spray functionality
- Pull-down extension
- 360 degree spout rotation
- Single-hole installation

#### SUPPLIED COMPONENTS

- Solid stainless steel kitchen faucet
- Hot and Cold braided steel supply hoses

#### CODES AND STANDARDS

Meets or exceeds:

- ASME A112.18.1 / CSA B125.1
- ICC/ANSI A117.1
- AB 1953
- cCUPC
- NSF 61
- CALGreen



CALGreen



#### IMPORTANT

Immediately upon receiving your Fiore product and removing it from its packaging we strongly suggest **INSPECTING** your Fiore product for potential freight damage. Any claims for damage visible or hidden, must be made immediately in order for the carrier to assume full responsibility and absorb any associated costs.

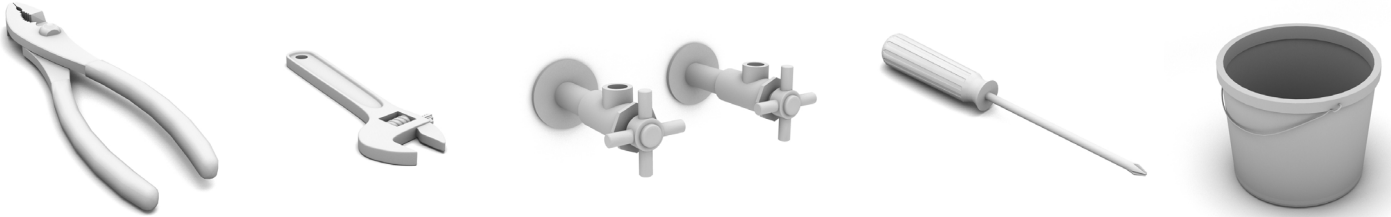
If damage or defect is discovered **DO NOT INSTALL** your Fiore product. Any claimed damage or defect to the finish of the product after the product has been installed will be excluded from any manufacturer warranty.

Always shut off your the main water supply before removing the existing faucet and/or installing a new one. Open the hot and cold knobs on the existing faucet in order to release built up pressure.

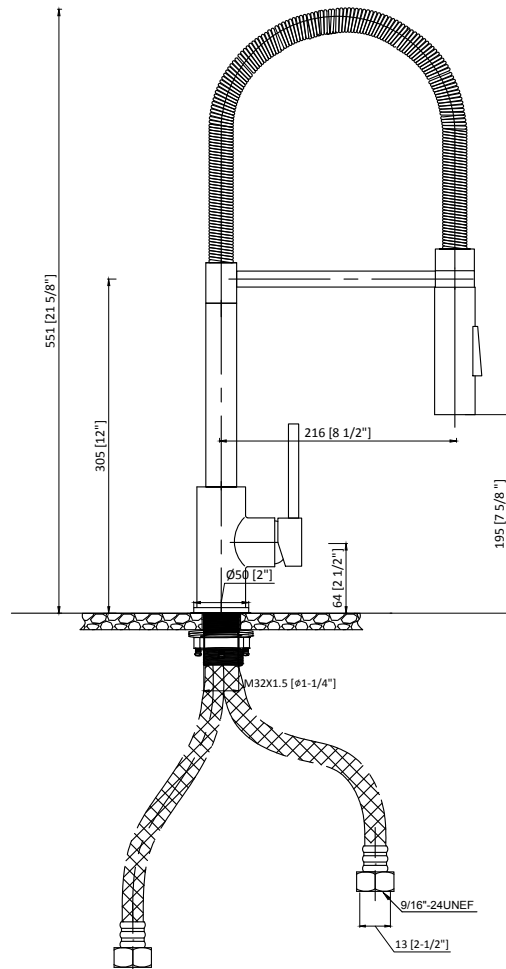
# FIORE™

FI1301 SS/ BNC  
LAVI PRO

## KITCHEN FAUCET INSTALLATION



## ROUGH-IN DIMENSIONS

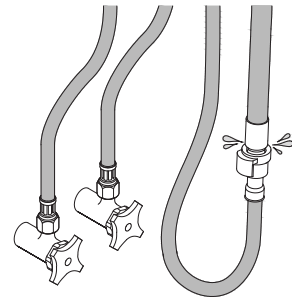
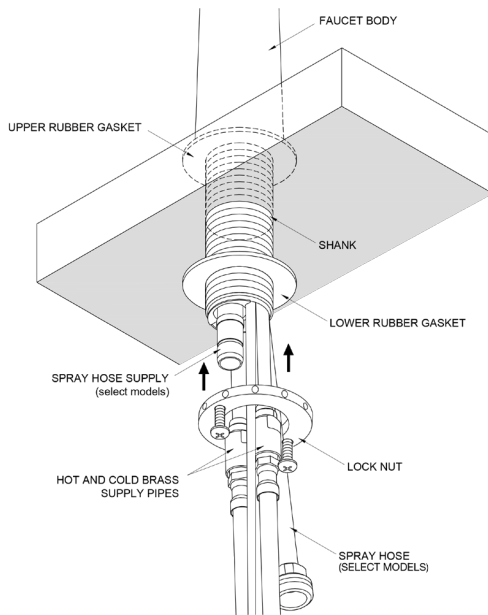


# FIORE™

## KITCHEN FAUCET INSTALLATION

### INSTALLATION INSTRUCTIONS

1. Make sure upper rubber gasket is positioned close to the top of the shank so it rests on top of the countertop.
2. Align the shank of the new faucet with countertop faucet hole and place new faucet in position through the countertop hole. Make sure Faucet is centered in hole
3. Under the sink slide the lower rubber gasket onto the faucet shank - once the lower rubber gasket is in place slide the lock nut onto the shank.
4. Tighten the two screws on the lock nut to secure the faucet into place.
6. Check for leaks.



5. Connect and tighten the hot and cold supply hoses

