

# FIORE™

## FI1035 SS/ BNC ARNO

### KITCHEN FAUCET INSTALLATION

#### THANK YOU FOR CHOOSING FIORE™

If you have any questions regarding your Fiore products please contact your local sales representative or visit [www.fiorelife.com/support](http://www.fiorelife.com/support) for customer support and service information.

Thank you again,  
FIORE™

#### PRIOR TO INSTALLATION

Prior to installation please be sure to review all installation instructions with a licensed or qualified plumbing technician who is familiar with all local plumbing and building codes in your jurisdiction.

#### FEATURES

- Brushed Nickel or Polished Chrome Finish
- T304 Stainless Steel body and construction
- Single handle lever
- FiORE Temperature Recall. Faucet may be turned on and off at any temperature setting
- Pull-down extension
- 360 degree spout rotation
- Single-hole installation

#### SUPPLIED COMPONENTS

- Solid stainless steel kitchen faucet
- Hot and Cold braided steel supply hoses

#### CODES AND STANDARDS

Meets or exceeds:

- ASME A112.18.1 / CSA B125.1
- ICC/ANSI A117.1
- AB 1953
- cCUPC
- NSF 61
- CALGreen



CALGreen



#### IMPORTANT

**Immediately upon receiving your Fiore product and removing it from its packaging we strongly suggest INSPECTING your Fiore product for potential freight damage. Any claims for damage visible or hidden, must be made immediately in order for the carrier to assume full responsibility and absorb any associated costs.**

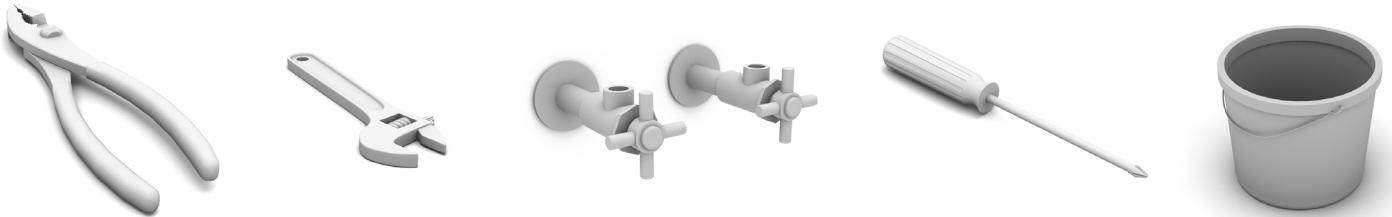
If damage or defect is discovered DO NOT INSTALL your Fiore product. Any claimed damage or defect to the finish of the product after the product has been installed will be excluded from any manufacturer warranty.

Always shut off your the main water supply before removing the existing faucet and/or installing a new one. Open the hot and cold knobs on the existing faucet in order to release built up pressure.

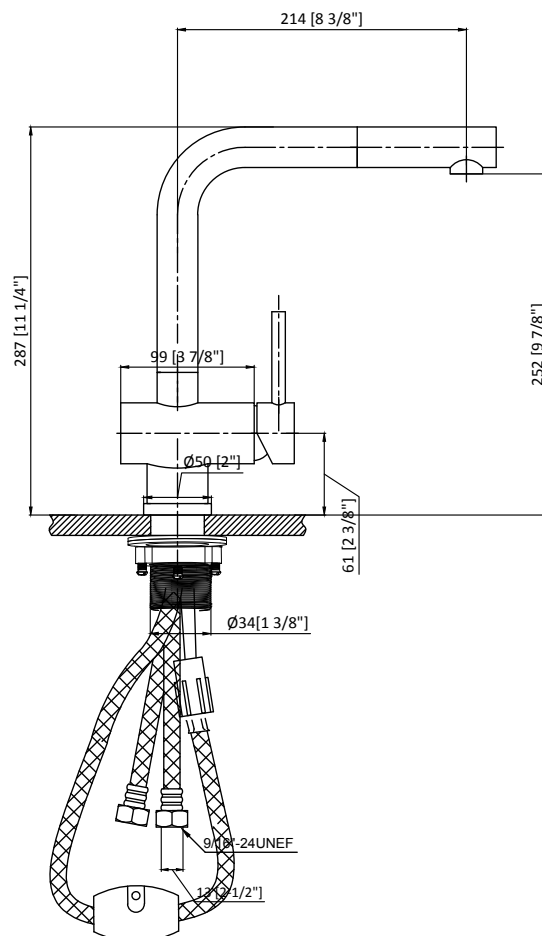
# FIORE™

FI1035 SS/ BNC  
ARNO

## KITCHEN FAUCET INSTALLATION



## ROUGH-IN DIMENSIONS

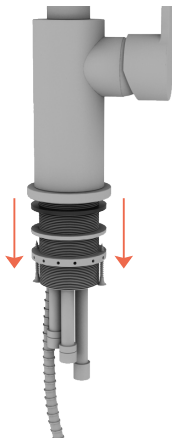


# FIORE™

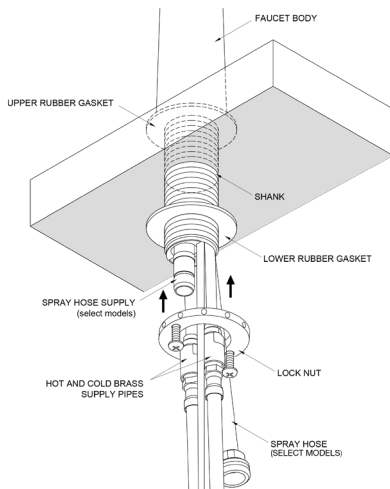
## KITCHEN FAUCET INSTALLATION

### INSTALLATION INSTRUCTIONS

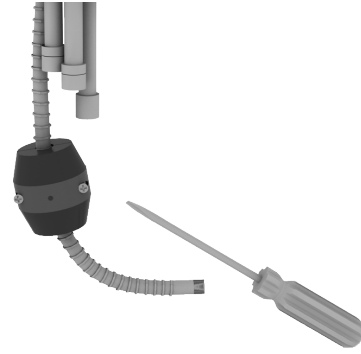
1. Make sure upper rubber gasket is positioned close to the top of the shank so it rests on top of the countertop.
2. Align the shank of the new faucet with countertop faucet hole (1 3/8" / 35mm Standard hole) and place new faucet in position through the countertop hole. Make sure Faucet is centered in hole.



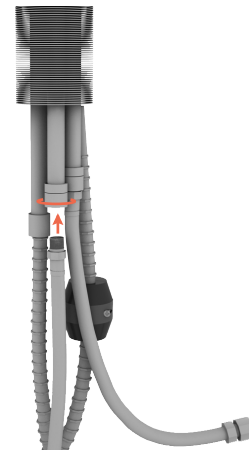
3. Under the sink slide the lower rubber gasket onto the faucet shank - once the lower rubber gasket is in place slide the lock nut onto the shank.
4. Tighten the two screws on the lock nut to secure the faucet into place.



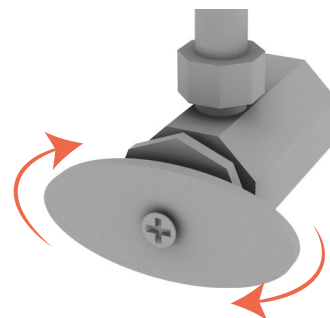
5. Unscrew the two fastening screws on the supply hose weight so the two-pieces come apart. Place the supply hose in the center of both pieces of the hose weight and loosely screw the two pieces back together.



6. Attach hot and cold water supplies to the faucet and fasten with a wrench or pliers
7. Turn on water supplies and flush hot and cold water for 30 second.
8. Slide the weight onto the pullout hose and connect the spray hose to the spray hose supply



9. Adjust the weight to the needed location to hold faucet spray head in place and also have clear passage when spray head is in use.
10. Turn main water supply on and faucet to flush out debris or dirt, and check for leaks.



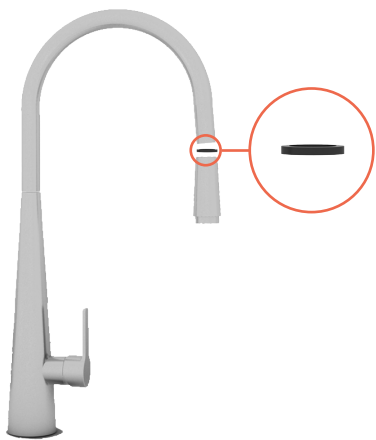
# FIORE™

---

## KITCHEN FAUCET INSTALLATION

---

10. If the faucet spray head is not assembled, make sure rubber gasket B is positioned correctly between faucet and spray head. Tightly screw and secure spray head into place.



12. Test faucet and faucet head thoroughly. Make sure water flow is adequate. Inspect all aspects of faucet for leaks.