

# FIORE™

## FI90302700 ARTI

### COUNTER MOUNT STAINLESS STEEL SINK INSTALLATION

#### THANK YOU FOR CHOOSING FIORE™

If you have any questions regarding your Fiore products please contact your local sales representative or visit [www.fiorelife.com/support](http://www.fiorelife.com/support) for customer support and service information.

Thank you again,  
FIORE™

#### PRIOR TO INSTALLATION

Prior to installation please be sure to review all installation instructions with a licensed or qualified plumbing technician who is familiar with all local plumbing and building codes in your jurisdiction.

#### FEATURES

- 16 gauge premium 304 grade stainless steel (18/10 Chromium/ Nickel)
- Satin Polish Finish
- Heavy duty sound guard absorption and undercoating
- Micro-Corner Zero Radius- perfectly straight interior corners for a truly avant-garde look
- Exterior dimensions: 34 1/2" x 20 1/8" / 875mm x 510mm
- Interior dimensions: 17 3/4" x 15 3/4" / 452mm x 400mm 13 1/4" x 15 3/4" / 337mm x 400mm
- Bowl Depth: 9"

#### SUPPLIED COMPONENTS

- Cut-out template
- Mounting brackets
- Fiore Premium Basket strainer

#### CODES AND STANDARDS

Meets or exceeds:

- ASME A112.19.2 / CSA B45.1
- ASME A112.19.14

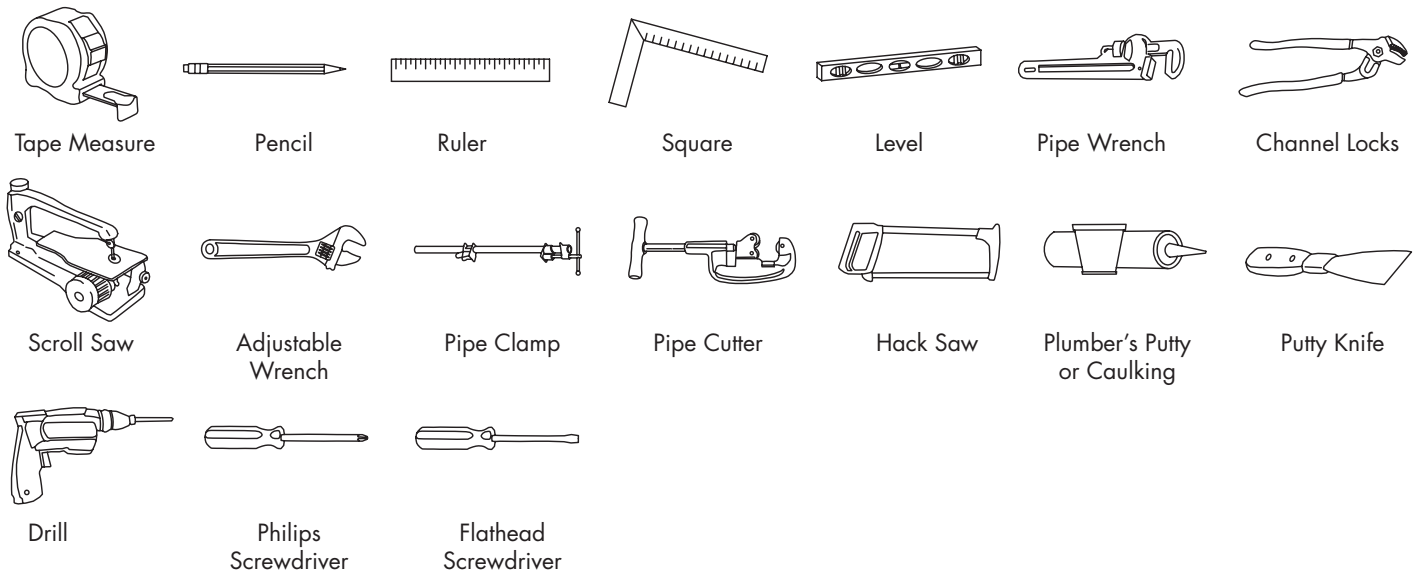


#### PRIOR TO INSTALLATION

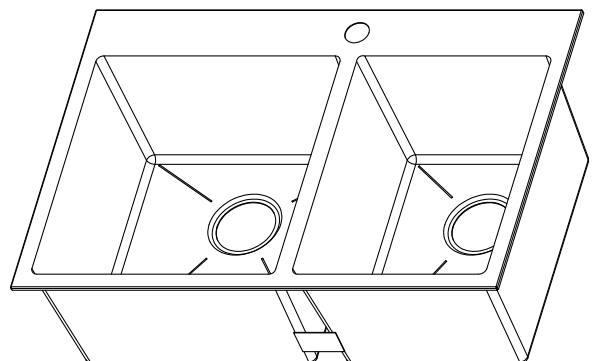
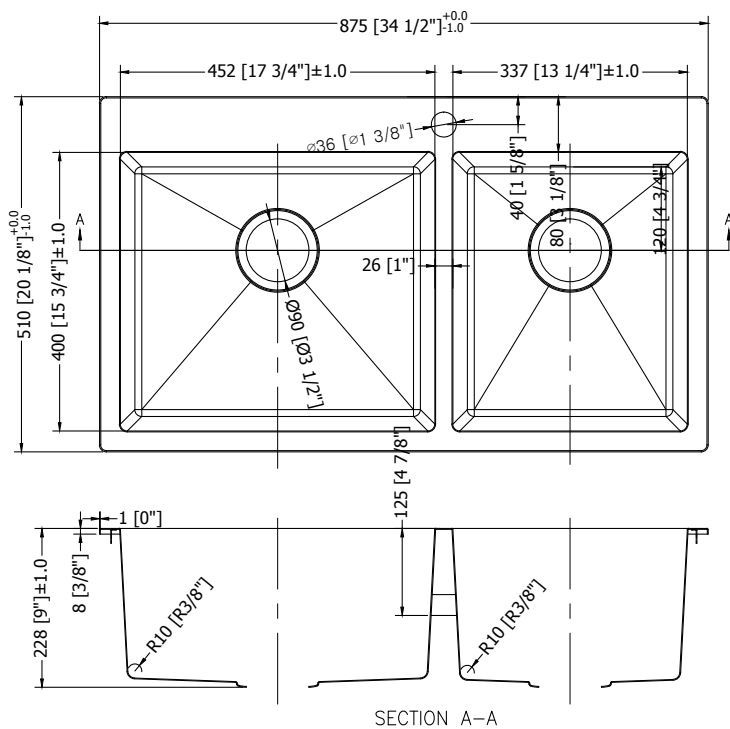
Before you begin please be sure to review the steps below to ensure preferred installation results.

1. Unpack your new FIORE™ product and confirm it is the correct model ordered and inspect the product for damage.  
Please keep product in its original packaging until you are ready for installation.
2. Confirm that all walls are plumb and all mounting/installation surfaces are level.
3. Shut off existing water supply.
4. Confirm that your plumbing technician has the proper/recommended tools for proper installation.

### COUNTER MOUNT STAINLESS STEEL SINK INSTALLATION



### ROUGH-IN DIMENSIONS



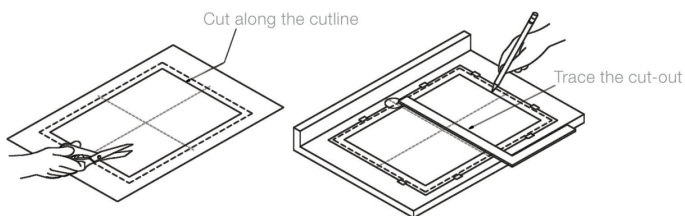
### COUNTER MOUNT STAINLESS STEEL SINK INSTALLATION

#### INSTALLATION INSTRUCTIONS

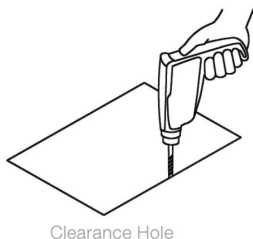
**\*\*NOTE: CONFIRM BASIN POSITION PROPERLY COINCIDES WITH YOUR FAUCET INSTALLATION LOCATION. CUT-OUT TEMPLATES ARE ONLY PROVIDED AS A GUIDE. PLACE TEMPLATE ON SINK TO ENSURE THE TEMPLATE WILL GIVE YOU THE PROPER CUTOUT FOR THE SINK. ALWAYS USE ACTUAL SINK DIMENSIONS FOR THE MOST ACCURATE CUT-OUT. FIORE IS NOT RESPONSIBLE FOR IMPROPER SINK OR COUNTERTOP INSTALLATION. FIORE IS NOT LIABLE FOR ANY DAMAGES TO SINK OR COUNTERTOP OR PERSONAL INJURY DURING INSTALLATION. \*\***

#### 1. CUT OPENING FOR BASIN

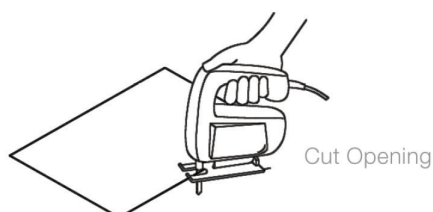
- Place the provided FIORE™ basin template at the desired installation location. Adhere template to installation surface with tape. Mark cutting guidelines on countertop surface for your reference



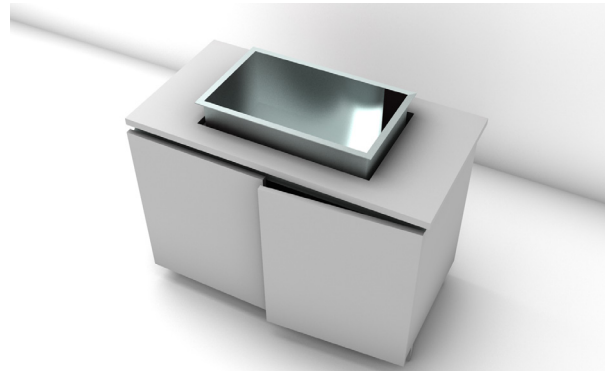
- Drill pilot hole inside the perimeter line of the template.



- Cut countertop opening.



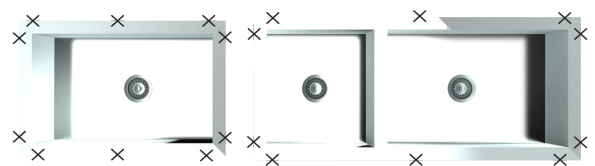
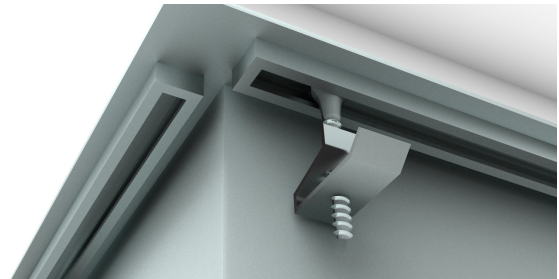
- If cut properly, the sink lip should rest on the countertop.



**\*\*NOTE: RECUTTING MAY BE NECESSARY TO ENSURE FIT AND ALIGNMENT\*\***

#### 2. ANCHOR SINK WITH MOUNTING CLIPS

- Insert clips into rails. Place clips at corners and space evenly along edges, as shown.



- Fix clips to counter top with flathead screwdriver.

