

FIORE™

FI90100400 POZZA

UNDERMOUNT STAINLESS STEEL SINK INSTALLATION

THANK YOU FOR CHOOSING FIORE™

If you have any questions regarding your Fiore products please contact your local sales representative or visit www.fiorelife.com/support for customer support and service information.

Thank you again,
FIORE™

PRIOR TO INSTALLATION

Prior to installation please be sure to review all installation instructions with a licensed or qualified plumbing technician who is familiar with all local plumbing and building codes in your jurisdiction.

FEATURES

- 16 gauge premium 304 grade stainless steel (18/10 Chromium/ Nickel)
- Satin Polish Finish
- Heavy duty sound guard absorption and undercoating
- Micro-Corner Zero Radius- perfectly straight interior corners for a truly avant-garde look.
- Exterior dimensions: 23" x 18" / 584mm x 457mm
- Interior dimensions: 21" x 16" / 534mm x 407mm
- Bowl Depth: 9"

SUPPLIED COMPONENTS

- Cut-out template
- Mounting brackets
- Fiore Premium Basket strainer

CODES AND STANDARDS

Meets or exceeds:

- ASME A112.19.2 / CSA B45.1
- ASME A112.19.14

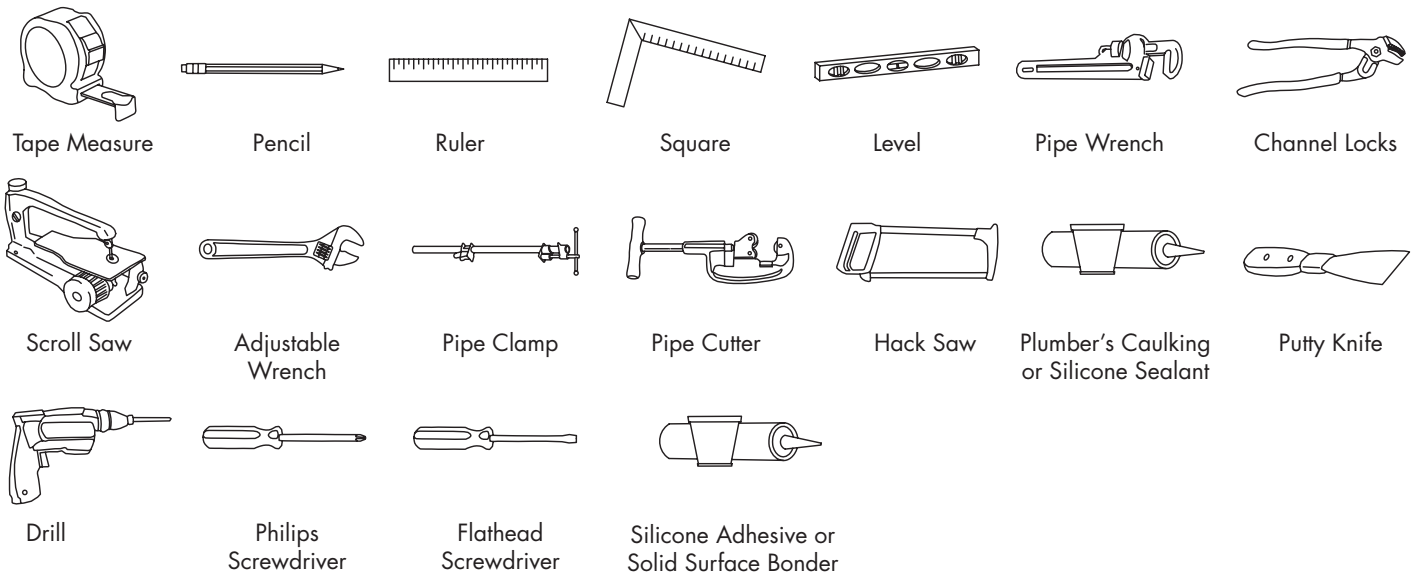


PRIOR TO INSTALLATION

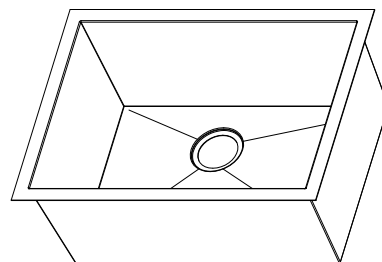
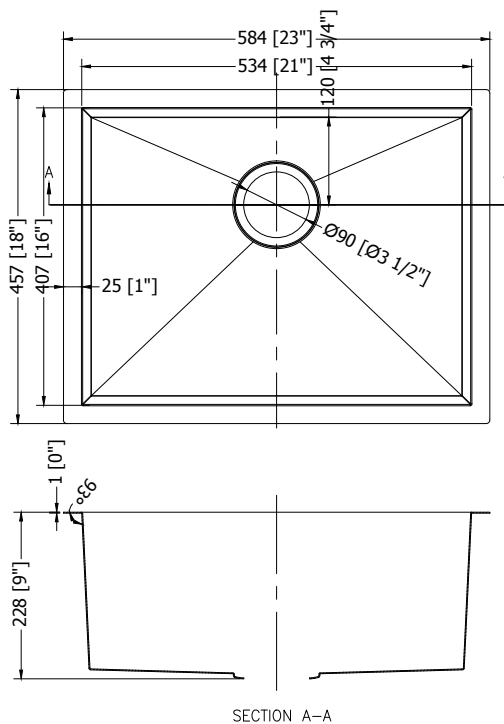
Before you begin please be sure to review the steps below to ensure preferred installation results.

1. Unpack your new FIORE™ product and confirm it is the correct model ordered and inspect the product for damage.
Please keep product in its original packaging until you are ready for installation.
2. Confirm that all walls are plumb and all mounting/installation surfaces are level.
3. Shut off existing water supply.
4. Confirm that your plumbing technician has the proper/recommended tools for proper installation.

UNDERMOUNT STAINLESS STEEL SINK INSTALLATION



ROUGH-IN DIMENSIONS



FIORE™

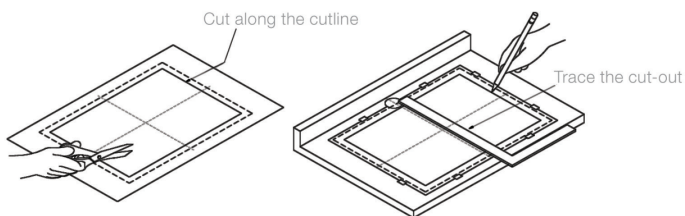
UNDERMOUNT STAINLESS STEEL SINK INSTALLATION

INSTALLATION INSTRUCTIONS

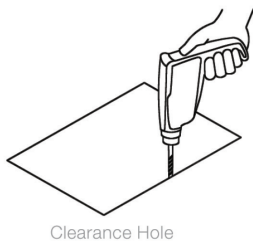
****NOTE: CONFIRM BASIN POSITION PROPERLY COINCIDES WITH YOUR FAUCET INSTALLATION LOCATION. CUT-OUT TEMPLATES ARE ONLY PROVIDED AS A GUIDE. PLACE TEMPLATE ON SINK TO ENSURE THE TEMPLATE WILL GIVE YOU THE PROPER CUTOUT FOR THE SINK. ALWAYS USE ACTUAL SINK DIMENSIONS FOR THE MOST ACCURATE CUT-OUT. FIORE IS NOT RESPONSIBLE FOR IMPROPER SINK OR COUNTERTOP INSTALLATION. FIORE IS NOT LIABLE FOR ANY DAMAGES TO SINK OR COUNTERTOP OR PERSONAL INJURY DURING INSTALLATION. ****

1. CUT OPENING FOR LAVATORY BASIN

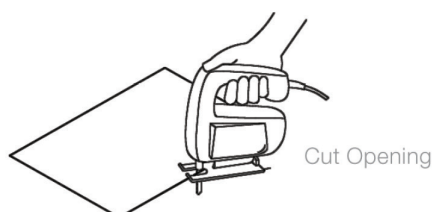
- Place the provided FIORE™ kitchen sink template at the desired installation location. Adhere template to installation surface with tape. Mark cutting guidelines on countertop surface for your reference



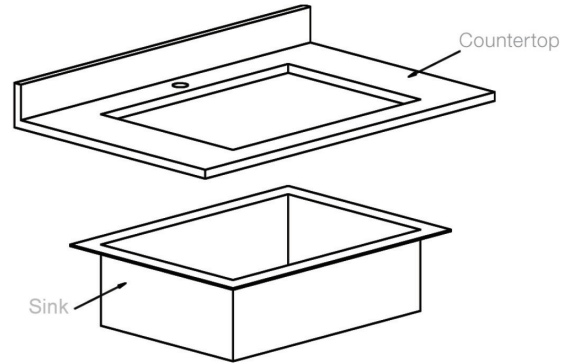
- Drill pilot hole inside the perimeter line of the template.



- Cut countertop opening.



- Align kitchen sink with countertop cutout to confirm cutout is the correct dimension and aligned properly.

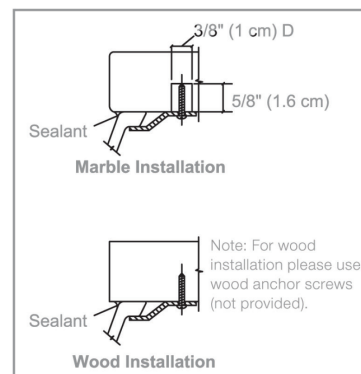
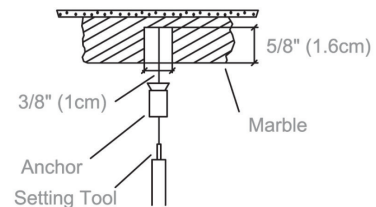


****NOTE: RECUTTING MAY BE NECESSARY TO ENSURE FIT AND ALIGNMENT****

2A. PREPARE COUNTERTOP FOR EMBEDDED UNDERMOUNT CLIPS

NOTE: COUNTERTOPS NEED A MINIMUM OF 1" (2.5CM) THICKNESS. INSTALLER MUST PROVIDE ANCHORS FOR THINNER COUNTERTOPS.

- Drill 5/8" (1.6 cm) deep anchor holes to receive 3/8" (1 cm) provided threaded anchor.
- Set anchor (open side exposed) with appropriate setting tool and hammer. A small amount of Epoxy can be applied for stronger adherence.

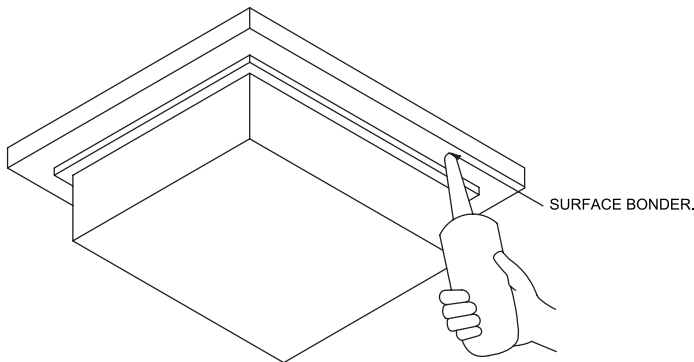


FIORE™

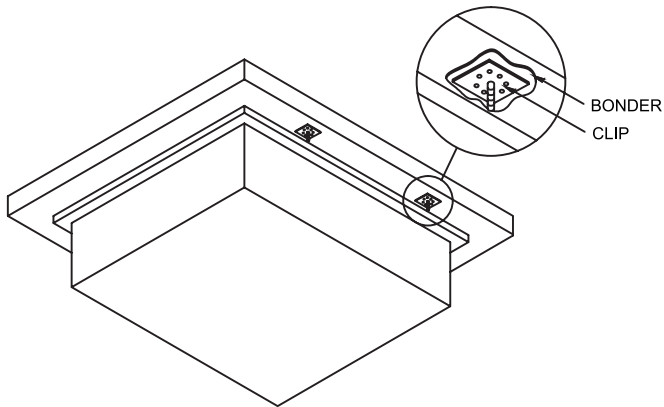
UNDERMOUNT STAINLESS STEEL SINK INSTALLATION

2B. PREPARE COUNTERTOPS FOR SURFACE MOUNT CLIPS

- Apply solid surface bonder.



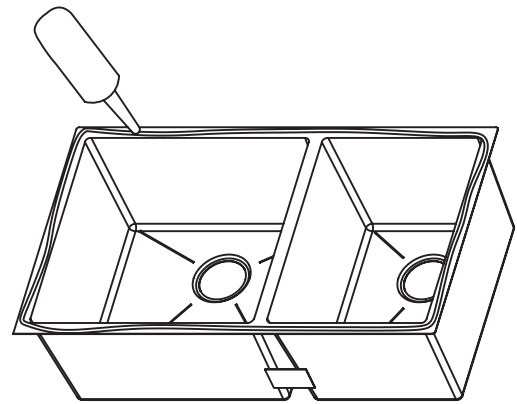
- Immediately apply surface mount clips onto the surface mount bonder.
- Be sure surface mount clip is fully immersed and covered by bonder. If needed, use a small wood or metal spatula to spread bonder over surface mount clip.
- Leave to set and cure for 10-12 minutes.



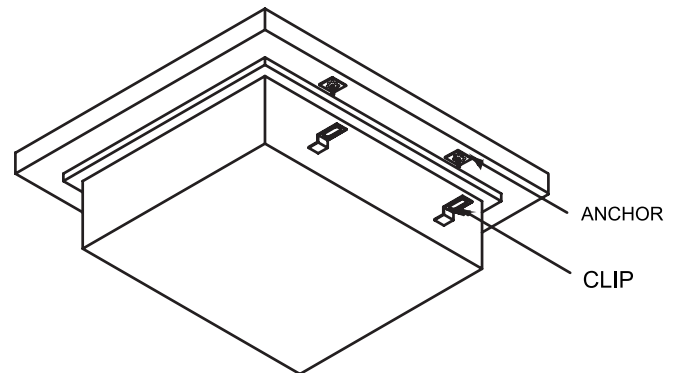
3. APPLY SILICONE ADHESIVE OR SOLID SURFACE BONDER

- Apply a silicone adhesive or solid surface bonder around the rim (top-side) of your under mount sink. Silicone adhesive or solid surface bonder will provide needed additional support and ensure under mount clip hardware stays securely in place.
- Please follow the manufacturer's instructions and consult with a plumbing professional regarding the necessary and required cure times for the chosen adhesive and bonder.

****NOTE: FIORE RECOMMENDS USING ADHESIVE AND BONDERS TO ENSURE A TIGHT, SECURE AND SEAMLESS INSTALLATION, EVEN THOUGH THE REMOVAL PROCESS MAY BE A BIT LABOR INTENSIVE IN THE UNLIKELY EVENT THAT THE KITCHEN SINK NEEDS TO BE REMOVED IN THE FUTURE.****



- Position surface mount anchors in same location as surface mount bonder.



FIORE™

UNDERMOUNT STAINLESS STEEL SINK INSTALLATION

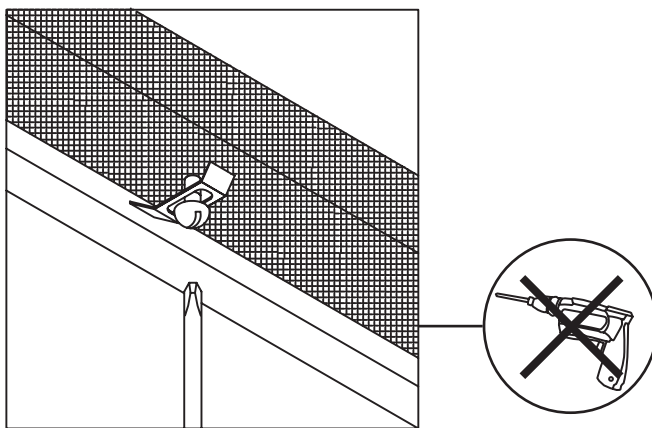
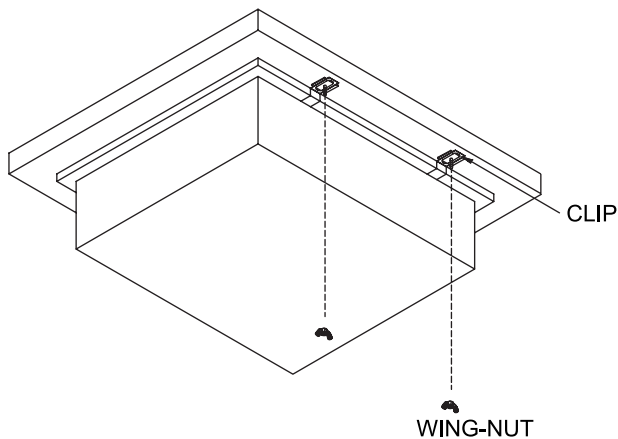
- Carefully align kitchen sink with countertop cut out and raise it into place.
- Firmly press lavatory basin against underside of countertop to ensure a tight fit.
- Depending on mounting hardware, proceed to manually (NO POWER TOOLS OR DRILLS) fasten and tight wing nuts or screws so that all under mount clips and sink are firmly secured against the bottom of the counter. This will allow the adhesive/ bonder to cure properly.

****NOTE: DO NOT OVER TIGHTEN AND DO NOT USE POWER TOOLS FOR THIS PROCESS. ****

****NOTE: LET SEALANT SET FOR A MINIMUM OF THIRTY (30) MINUTES BEFORE PROCEEDING****

- Kitchen sink is now ready for drain, waste system, faucet and water supply installation.

****NOTE: DRAIN, WASTE SYSTEM, FAUCET AND WATER SUPPLY SHOULD BE INSTALLED ACCORDING TO MANUFACTURER'S INSTALLATION INSTRUCTIONS****



3. APPLY SILICONE SEALANT (NOT ADHESIVE)

- To mitigate the possibility of water seepage a small line of sealant may also be applied to the basin's top exposed rim where basin and counter meet.
- Immediately wipe any excess sealant from kitchen sink and counter surface material.