

FIORE™

www.fiorelife.com

ARTI

KITCHEN SINK

FI90800100

FEATURES:

16 gauge premium 304 grade stainless steel (18/10 Chromium/Nickel)

Satin Polish Finish

Heavy duty sound guard absorption and undercoating

Relaxed Corner /10mm Radius- A subtle curved corner for an easy to clean contemporary look.

Exterior dimensions: 33" x 22" / 838mm x 549mm

Interior dimensions: 16 3/4" x 17 5/8" / 425mm x 449mm
12 3/4" x 17 5/8" / 323mm x 449mm

Bowl Depth: 9"

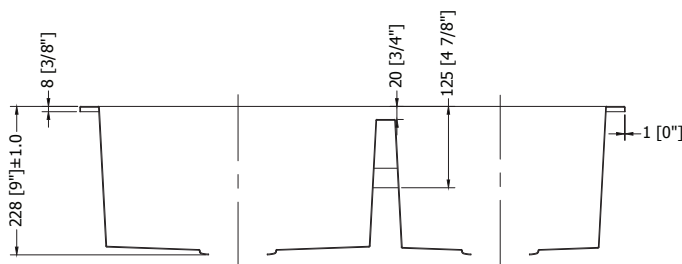
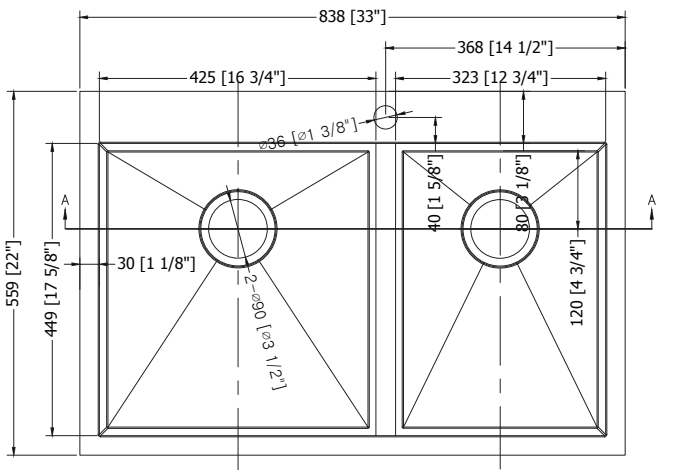
SUPPLIED ACCESSORIES:

Cut-out template

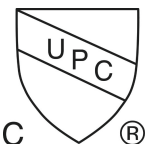
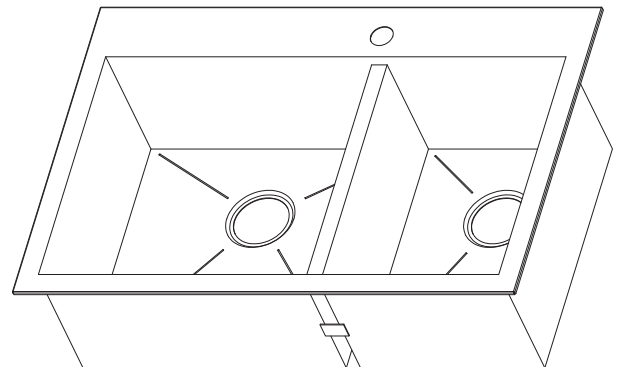
Mounting brackets

Fiore Premium Basket strainer

Fiore Bottom Rinse Grid and Protector



SECTION A-A



FI90800100